

Measurement System



MELECs Measurement System (MS) is a simple way to scope your process. The MS has the option to measure up to four channels. The MS can be included in system racks where the voltage and current transducer are mounted or used stand alone in combination with Terminal Boxes (TB). This Terminal Boxes include the Voltage and Current transducer in a stable metal case.

The MS is used to capture and normalize HiPIMS voltage / current signals. High quality voltage and current transducers of the company LEM are used in order to capture high voltage und current signals.

MS Models:

Type	Voltage	Current
MS-500	1 x 1000V	1 x 500A
MS-500-S-TB	1 x 1000V	1 x 500A
MS-500-D	2 x 1000V	2 x 500A
MS-500-D-TB	2 x 1000V	2 x 500A
MS-1000-S	1 x 1000V	1 x 1000A
MS-1000-S-TB	1 x 1000V	1 x 1000A
MS-1000-D	2 x 1000V	2 x 1000A
MS-1000-D-TB	2 x 1000V	2 x 1000A

MS Specifications:

Type	MS-500 / MS-500-D / MS-500-D-TB	MS-1000 / MS-1000-D / MS-1000-D-TB
AC input ; controller only	110V - 240V, 50/60 Hz, +/-10%, PE	
AC Input Power	45W max.	
Voltage Transducer	CV3-2000	
Voltage-Transducer Input Voltage	+/-1000 V (max.)	
BW Voltage Transducer (-1dB @ 25% VPIN)	DC -300 kHz	
dV / dt	900V / us	
Current Transducer	LA 305-S	LF 1010-S
Current-Transducer Input Current	+/-500 A (max.)	+/-1000 A (max.)
di / dt	100A / us	200A / us
BW Current Transducer (-3dB)	DC -100 kHz	DC -200 kHz
Transducer Supply Voltage	+/-15VDC	
Output Power / Transducer	7,5W max.	
max. Transducer cable length	3m / 9,8ft.	
BNC Connector Type	RG58 (50Ohm)	
max. BNC cable length	3m / 9,8ft.	
Output Current / BNC Measurement Output	+/-10mA max.	
Cooling Capacity	convection	
Operating Temperature	0°C < T < 65°C / 32°F < T < 149°F	
19" Dimmension: H / W / D	1U / 304 mm / 125 mm	
Net Weight	5 kg / 11lbs	
Certification	CE	

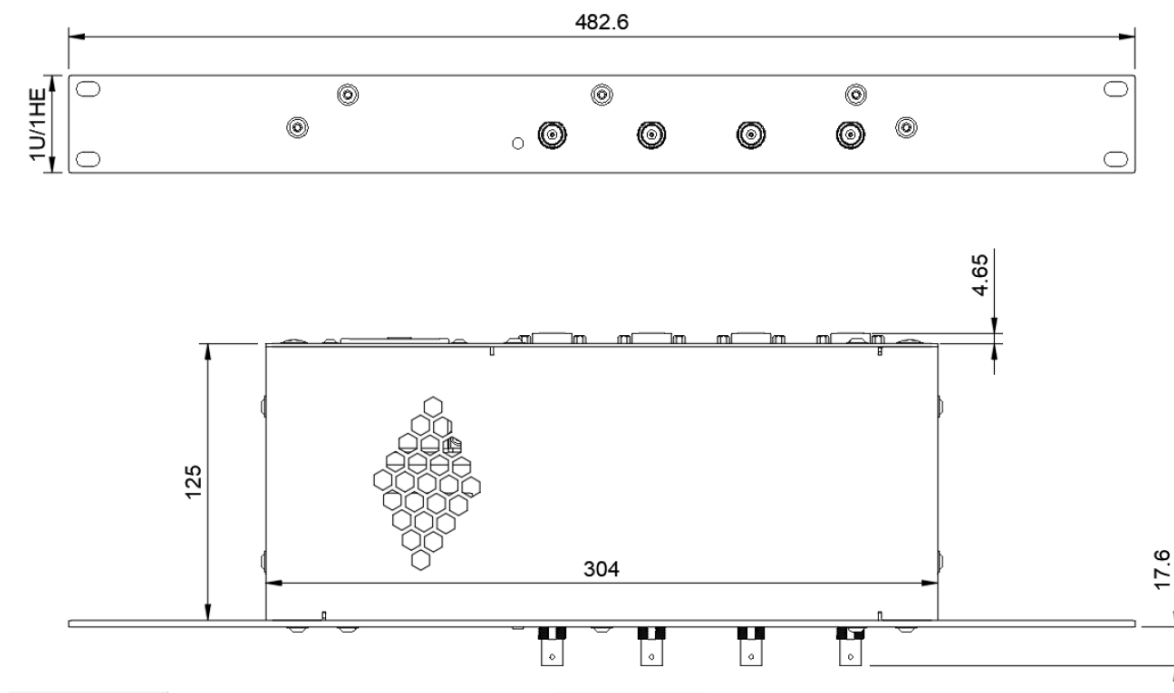


figure 1: MS Mechanical Drawing

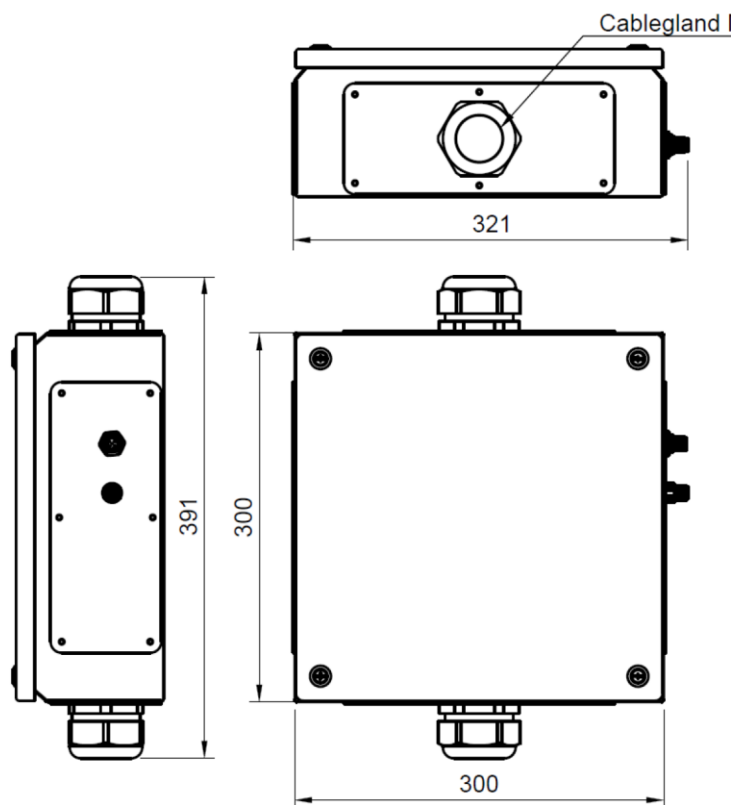


figure 2: Terminalbox (TB) Mechanical Drawing

Melec GmbH
Dr.-Rudolf-Eberle-Str. 27
D-76534 Baden-Baden
Tel.: +49 (0) 7223 28 14 50 -01
Fax: +49 (0) 7223 28 14 50 -09
E-Mail: info@melec.de
Web: www.melec.de

Copyright © 2021 MELEC GmbH All rights reserved „May 2021“

The contents of this document are the copyright of the publisher and may not be reproduced (even extracts) unless permission is granted. Every care has been taken to ensure the accuracy of the information contained in this data sheet/brochure, but no liability will be accepted for any errors or omissions. The right to make design modifications is reserved.

MELEC GmbH reserves the right to change or modify any of the content within this document without prior notice. MELEC GmbH shall not be liable in damages, of whatever kind, as a result of the reliance on or in use of the information contained within this document. Please make sure to use your MELEC products in accordance to the latest documentation version! For questions or comments please contact MELEC GmbH